

FASTENER DATA

TOOL CHARACTERISTICS

| HEIGHT | WIDTH | LENGTH | WEIGHT |
|--------------------------|--------|---|-----------|
| 327 mm. | 75 mm. | 380 mm. | 2.220 Kg. |
| MIN-MAX WORKING PRESSURE | | 70 / 100 PSIG 5 / 7 BAR | |
| AIR CONSUMPTION PER SHOT | | PERFORMANCES AT 90 psi (0.62 Mpa) 0.57 l. | |
| LUBRICANT | | BCNZ617 500 ml. | |

| | |
|-------------------|-----------------|
| A) OUTSIDE CROWN | 12.80 mm. |
| B) INSIDE CROWN | 11.30 mm. |
| CxD) WIRE | 0.60 x 0.90 mm. |
| L) LENGTH | 12 - 25 mm. |
| MAGAZINE CAPACITY | 310 staples |

| | |
|--------------------|---------------------|
| * ACTUATION SYSTEM | 1 (SAFETY : MANUAL) |
|--------------------|---------------------|

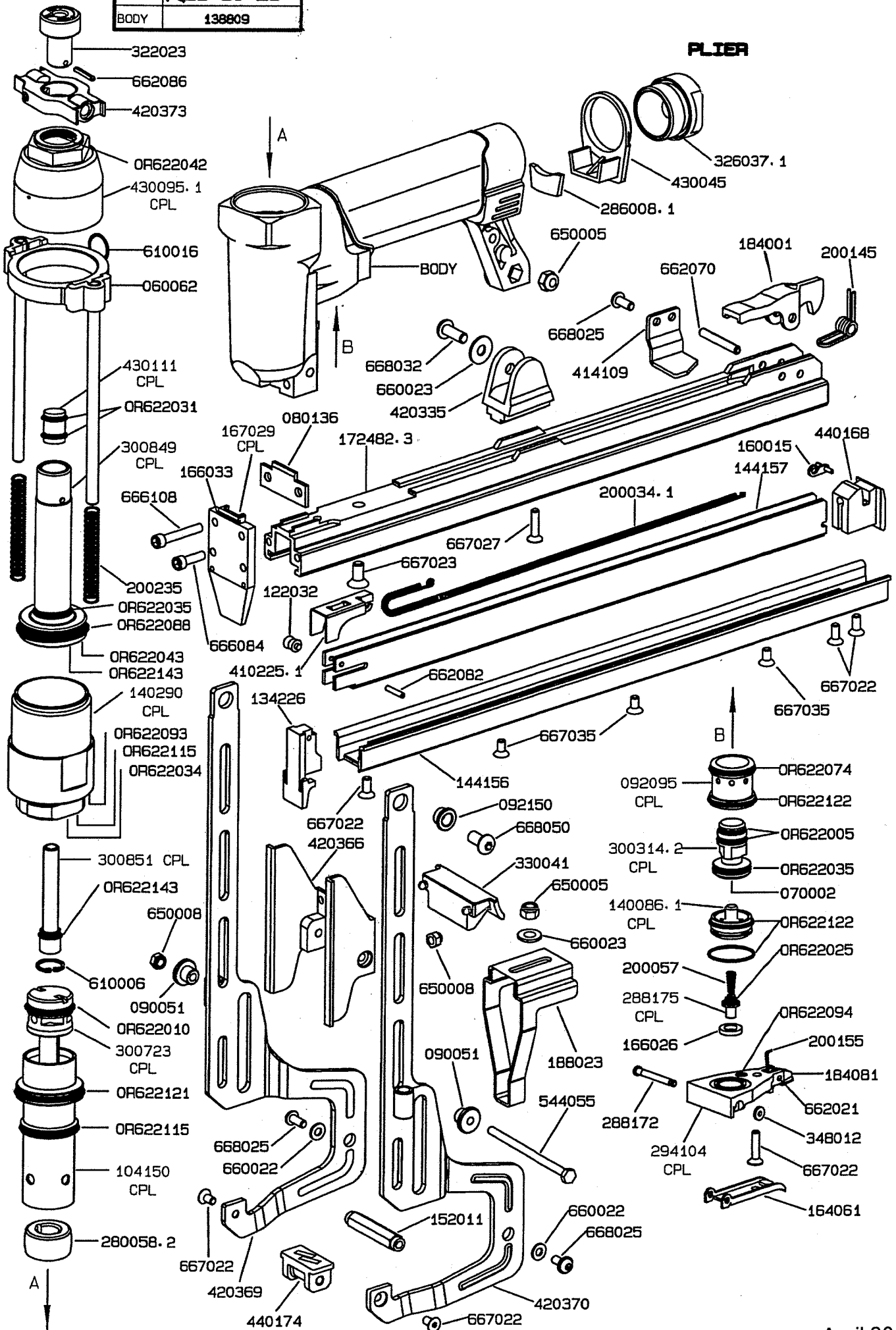
| | |
|-----------|--|
| * LOADING | <input checked="" type="checkbox"/> BOTTOM LOADING <input type="checkbox"/> SIDE LOADING <input type="checkbox"/> TOP LOADING <input type="checkbox"/> COIL <input type="checkbox"/> OTHER |
|-----------|--|

* SEE INSTRUCTION MANUAL

| NOISE CHARACTERISTICS | EN 12549+A1:2008 | $L_{WA,1s}$, :90.25 dB(A) - $K_{WA,1s}$, 2.5 |
|-----------------------|------------------|--|
| | EN ISO 4871:2009 | $L_{pA,1s}$, :82.40 dB(A) - $K_{pA,1s}$, 2.5 |

| | |
|-----------------|---|
| VIBRATION VALUE | UNI ISO/TS 8662-11 IS BELOW THE DECLARATION LIMIT SET BY UNI EN ISO 12100-1/2 |
|-----------------|---|

| | |
|-------|--------------|
| ESP | MACHINE CODE |
| 0 | 11184.01 |
| DESC. | R1B 80-25 |
| BODY | 138809 |



| Code | RSP | Qty | Description | Code | RSP | Qty | Description |
|-------------|-----|-----|---------------|-----------|-----|-----|-------------|
| 000060062 | | 1 | RING | 000622010 | R | 1 | O-RING |
| 000070002 | R | 1 | BUFFER | 000622025 | R | 1 | O-RING |
| 000080136 | | 1 | REST | 000622031 | R | 2 | O-RING |
| 000090051 | | 2 | BUSH | 000622032 | R | 1 | O-RING |
| 000092095 | | 1 | BUSH | 000622034 | R | 1 | O-RING |
| 000092150 | | 2 | BUSH | 000622035 | R | 2 | O-RING |
| 000104150 | | 1 | CYLINDER | 000622042 | R | 1 | O-RING |
| 000122032 | | 1 | PULLEY | 000622043 | R | 1 | O-RING |
| 000134226 | | 1 | NOSE RAIL | 000622074 | R | 1 | O-RING |
| 000138820 | | 1 | BODY | 000622088 | R | 1 | O-RING |
| 000140086.1 | | 1 | TRIGGER VALVE | 000622093 | R | 1 | O-RING |
| 000140290 | | 1 | BODY | 000622094 | R | 1 | O-RING |
| 000144156 | | 1 | SLIDER | 000622115 | R | 2 | O-RING |
| 000144157 | | 1 | SLIDER | 000622121 | R | 1 | O-RING |
| 000152011 | | 1 | SPACER | 000622122 | R | 3 | O-RING |
| 000160015 | | 1 | HOOK | 000622143 | R | 2 | O-RING |
| 000164061 | | 1 | TRIGGER | 000650005 | R | 2 | NUT |
| 000166026 | R | 1 | GASKET | 000650008 | R | 3 | NUT |
| 000166033 | R | 1 | GASKET | 000660022 | R | 2 | WASHER |
| 000167029 | | 1 | PLATE | 000660023 | R | 2 | WASHER |
| 000172482.3 | | 1 | LOADER | 000662021 | R | 1 | PIN |
| 000184001 | | 1 | CATCH | 000662070 | R | 2 | PIN |
| 000184081 | | 1 | CATCH | 000662082 | R | 1 | PIN |
| 000188023 | | 1 | INSERT | 000662086 | R | 1 | PIN |
| 000200034.1 | R | 1 | SPRING | 000666084 | R | 2 | SCREW |
| 000200057 | R | 1 | SPRING | 000666108 | R | 2 | SCREW |
| 000200145 | R | 1 | SPRING | 000667022 | R | 6 | SCREW |
| 000200155 | R | 1 | SPRING | 000667023 | R | 1 | SCREW |
| 000200235 | | 2 | SPRING | 000667027 | R | 1 | SCREW |
| 000280058.2 | R | 1 | BUMPER | 000667035 | R | 3 | SCREW |
| 000286008.1 | | 1 | MUFFER | 000668025 | R | 6 | SCREW |
| 000288172 | | 1 | PIN | 000668032 | R | 1 | SCREW |
| 000288175 | | 1 | PIN | 000668050 | R | 2 | SCREW |
| 000294104 | | 1 | PLATE | | | | |
| 000300314.2 | | 1 | PISTON | | | | |
| 000300723 | R | 1 | PISTON | | | | |
| 000300849 | R | 1 | JAW PISTON | | | | |
| 000300851 | | 1 | PISTON | | | | |
| 000322023 | | 1 | ADJUSTER | | | | |
| 000326037.1 | | 1 | ADAPTER | | | | |
| 000330041 | | 1 | PROTECTOR | | | | |
| 000348012 | | 1 | SPACER | | | | |
| 000410225.1 | R | 1 | PUSHER | | | | |
| 000414109 | | 1 | SQUARE | | | | |
| 000420335 | | 1 | HOLDER | | | | |
| 000420366 | | 1 | HOLDER | | | | |
| 000420369 | | 1 | JAW R | | | | |
| 000420370 | | 1 | JAW L | | | | |
| 000420373 | | 1 | HOLDER | | | | |
| 000430045 | | 1 | COVER | | | | |
| 000430095.1 | | 1 | CAP | | | | |
| 000430111 | | 1 | COVER | | | | |
| 000440168 | | 1 | SLOT | | | | |
| 000440174 | | 1 | SLOT | | | | |
| 000544055 | R | 1 | SCREW | | | | |
| 000610006 | R | 1 | STOP RING | | | | |
| 000610016 | | 1 | RING | | | | |
| 000622005 | R | 2 | O-RING | | | | |

R=Recommended spare parts